

规格确认书

SPECIFICATION

客 户

CUSTOMER: _____

客户料号

CUSTOMER P/N: _____

物料名称

磁胶电感

MODEL NO:

Wire Wound/STD,Shielded Type with Magnetic Glue

料号

RPNR 系列

P/N:

RPNR series

文件编号

FILE NO:

22-07

日期: 2022-07-19

承办人: 刘俊

DATE: July 19, 2022

ISSUEDER: Liu Jun

客户确认 APPROVED BY

签名:

日期:

SIGN:

DATE:

结论 RESULT:

确认后请回传 PLEASE RETURN BY ONE COPY

●特征

表面贴装, 小型、超薄电感器, 大功率, 高饱和, 低电阻之特。

磁性胶水涂敷结构极大减少了噪声, 闭合磁路结构设计, 漏磁少, 抗 EMI 能力强。

同等尺寸额定电流较传统电感高出 30%以上。工作频率范围广可达 5MHZ 以上。

工作温度范围-40°C 至 +125°C

●用途

录像机、液晶显示器、笔记本电脑、通讯、设备、办公自动化等电子设备的电源扼流。

●品名系统

RPNR	3015	S	4R7	M
①	②	③	④	⑤

① 产品代号: 磁胶电感

② 尺寸规格: 252012=2.5x2.0x1.2(mm)

3012=3.0x3.0x1.2(mm)

3015=3.0x3.0x1.5(mm)

4012=4.0x4.0x1.2(mm)

4018=4.0x4.0x1.8(mm)

4030=4.0x4.0x3.0(mm)

5020=5.0x5.0x2.0(mm)

5040=5.0x5.0x4.0(mm)

6028=6.0x6.0x2.8(mm)

6045=6.0x6.0x4.5(mm)

8040=8.0x8.0x4.0(mm)

③ 材质:

④ 电感量标称值:1R0=1μH

⑤ 电感量公差:M=±20% N=±30%

●FEATURES

The inductor designed as surface mounting,smallest and thinnest with high power high saturation and low resistance.

Magnetic-resin shielded structure reduces buzz noise to ultra-low levels Closed magnetic circuit structure reduces magnetic leakage flux,high performance of anti-EMI.

Compared with the same size part,the rated current 30%higher than the traditional inductors.

Wide range working frequency that reach more than 5MHz.

Operating temperature range -40°Cto+125°C

●Applications

Power supply choke for small electrical equipments such as VTR,LCD display,Notebook,communication equipment,and so on.

●Product Identification

RPNR	3015	S	4R7	M
①	②	③	④	⑤

① Product symbol:

② Dimension: 252012=2.5x2.0x1.2(mm)

3012=3.0x3.0x1.2(mm)

3015=3.0x3.0x1.5(mm)

4012=4.0x4.0x1.2(mm)

4018=4.0x4.0x1.8(mm)

4030=4.0x4.0x3.0(mm)

5020=5.0x5.0x2.0(mm)

5040=5.0x5.0x4.0(mm)

6028=6.0x6.0x2.8(mm)

6045=6.0x6.0x4.5(mm)

8040=8.0x8.0x4.0(mm)

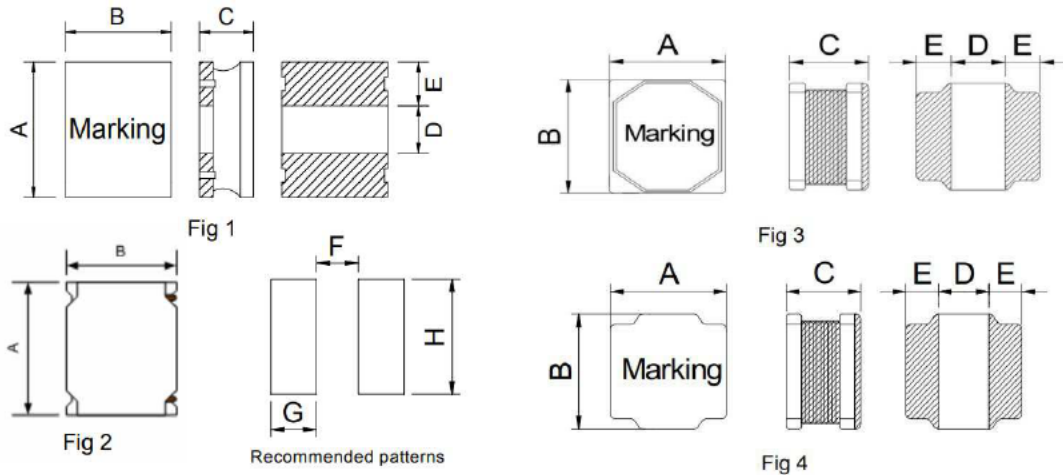
③ Material:

④ Inductance: 1R0=1μH

⑤ Tolerance: M=±20% N=±30%

● 结构及尺寸

● Structure And Dimensions



Series	A	B	C	D	E	F	A Typ.	B Typ.	C Typ.	
252010	2.5±0.1	2.0±0.1	1.0Max.	2.0±0.2	0.80±0.2	0.80±0.2	0.8	0.85	2	Fig.1/2
252012	2.5±0.1	2.0±0.1	1.2Max.	2.0±0.2	0.80±0.2	0.80±0.2	0.8	0.85	2	Fig.1/2
3010	3.0±0.2	3.0±0.2	1.0Max.	2.5±0.2	0.75±0.2	1.5±0.2	1.5	0.8	2.7	Fig.3/4
3012	3.0±0.2	3.0±0.2	1.2Max.	2.5±0.2	0.75±0.2	1.5±0.2	1.5	0.8	2.7	Fig.3/4
3015	3.0±0.2	3.0±0.2	1.5Max.	2.5±0.2	0.75±0.2	1.5±0.2	1.5	0.8	2.7	Fig.3/4
4010	4.0±0.2	4.0±0.2	1.0Max.	3.3±0.2	0.95±0.2	2.1±0.2	1.9	1.1	3.7	Fig.3/4
4012	4.0±0.2	4.0±0.2	1.2Max.	3.3±0.2	0.95±0.2	2.1±0.2	1.9	1.1	3.7	Fig.3/4
4018	4.0±0.2	4.0±0.2	1.8Max.	3.3±0.2	0.95±0.2	2.1±0.2	1.9	1.1	3.7	Fig.3/4
4020	4.0±0.2	4.0±0.2	2.0Max.	3.3±0.2	0.95±0.2	2.1±0.2	1.9	1.1	3.7	Fig.3/4
4026	4.0±0.2	4.0±0.2	2.6Max.	3.3±0.2	0.95±0.2	2.1±0.2	1.9	1.1	3.7	Fig.3/4
4030	4.0±0.2	4.0±0.2	3.0Max.	3.3±0.2	0.95±0.2	2.1±0.2	1.9	1.1	3.7	Fig.3/4
5012	5.0±0.2	5.0±0.2	1.2Max.	4.0±0.2	1.25±0.2	2.5±0.2	2.3	1.4	4.2	Fig.3/4
5020	5.0±0.2	5.0±0.2	2.0Max.	4.0±0.2	1.25±0.2	2.5±0.2	2.3	1.4	4.2	Fig.3/4
5040	5.0±0.2	5.0±0.2	4.0Max.	4.0±0.2	1.25±0.2	2.5±0.2	2.3	1.4	4.2	Fig.3/4
6020	6.0±0.3	6.0±0.3	2.0Max.	4.9±0.3	1.55±0.3	2.9±0.3	2.8	1.7	5.7	Fig.3/4
6028	6.0±0.3	6.0±0.3	2.8Max.	4.9±0.3	1.55±0.3	2.9±0.3	2.8	1.7	5.7	Fig.3/4
6045	6.0±0.3	6.0±0.3	4.5Max.	4.9±0.3	1.55±0.3	2.9±0.3	2.8	1.7	5.7	Fig.3/4
8040	8.0±0.3	8.0±0.3	4.2Max.	6.3±0.3	2.00±0.3	4.0±0.3	3.8	2.2	7.5	Fig.3/4
8056	8.0±0.3	8.0±0.3	6.5Max.	6.3±0.3	2.00±0.3	4.0±0.3	3.8	2.2	7.5	Fig.3/4

●规格

●Specifications

RPNR252010系列(TYPE)

Part Number	Inductance	Self-resonant Frequency	DC Resistance		Saturation Current'3		Heat Rating Current'4	
	@100kHz,1V	Min.	Max.	Typ.	Max.	Typ.	Max.	Typ.
Units	μ H	MHz	Ω		A		A	
Symbol	L	S.R.F	DCR		Isat		Irms	
RPNR252010SR22N	0.22±30%	300	0.036	0.030	2.70	3.10	3.00	3.50
RPNR252010SR33N	0.33±30%	210	0.048	0.040	4.00	4.60	2.40	2.76
RPNR252010SR47N	0.47±30%	206	0.056	0.047	2.50	3.35	2.35	2.56
RPNR252010SR56N	0.56±30%	160	0.072	0.060	2.90	3.20	2.00	2.18
RPNR252010SR68N	0.68±30%	129	0.074	0.062	2.20	2.75	2.00	2.18
RPNR252010S1R0N	1.0±30%	100	0.108	0.090	1.85	2.20	1.65	1.80
RPNR252010S1R5N	1.5±30%	81	0.182	0.152	1.80	2.10	1.30	1.42
RPNR252010S2R2N	2.2±30%	61	0.209	0.174	1.20	1.60	1.20	1.31
RPNR252010S3R3M	3.3±20%	47	0.328	0.273	1.05	1.30	0.90	0.98
RPNR252010S4R7M	4.7±20%	42	0.563	0.469	0.95	1.15	0.70	0.76
RPNR252010S5R6M	5.6±20%	35	0.625	0.525	0.80	0.95	0.73	0.80
RPNR252010S6R8M	6.8±20%	31	0.896	0.747	0.78	0.92	0.59	0.64
RPNR252010S100M	10±20%	27	1.092	0.910	0.65	0.78	0.50	0.55
RPNR252010S150M	15±20%	20	1.508	1.160	0.40	0.60	0.50	0.55
RPNR252010S220M	22±20%	25	1.625	1.250	0.40	0.48	0.45	0.50

RPNR252012系列(TYPE)

Part Number	Inductance	Self-resonant Frequency	DC Resistance		Saturation Current'3		Heat Rating Current'4	
	@100kHz,1V	Min.	Max.	Typ.	Max.	Typ.	Max.	Typ.
Units	μ H	MHz	Ω		A		A	
Symbol	L	S.R.F	DCR		Isat		Irms	
RPNR252012SR22N	0.22±30%	283	0.047	0.039	6.10	6.50	2.20	2.57
RPNR252012SR33N	0.33±30%	175	0.047	0.039	4.00	5.00	2.20	2.57
RPNR252012SR47N	0.47±30%	160	0.061	0.047	3.82	4.27	2.15	2.34
RPNR252012SR68N	0.68±30%	140	0.074	0.057	3.28	3.68	1.95	2.13
RPNR252012S1R0N	1.0±30%	110	0.090	0.069	2.59	2.90	1.93	2.10
RPNR252012S1R2N	1.2±30%	100	0.129	0.099	2.38	2.67	1.46	1.59
RPNR252012S1R5M	1.5±20%	97	0.147	0.113	2.24	2.51	1.40	1.53
RPNR252012S2R2M	2.2±20%	69	0.216	0.166	1.85	2.07	1.15	1.25
RPNR252012S3R3M	3.3±20%	62	0.264	0.203	1.61	1.80	1.04	1.13
RPNR252012S4R7M	4.7±20%	47	0.377	0.290	1.12	1.25	0.84	0.92
RPNR252012S6R8M	6.8±20%	38	0.581	0.447	0.98	1.09	0.69	0.75
RPNR252012S8R2M	8.2±20%	36	0.658	0.506	0.98	1.10	0.65	0.71
RPNR252012S9R1M	9.1±20%	34	0.690	0.531	0.91	1.02	0.62	0.68
RPNR252012S100M	10±20%	34	0.690	0.531	0.79	0.88	0.62	0.68

RPNR252012系列(TYPE)

Part Number	Inductance	Self-resonant Frequency	DC Resistance		Saturation Current ³		Heat Rating Current ⁴	
	@100kHz,1V	Min.	Max.	Typ.	Max.	Typ.	Max.	Typ.
Units	μ H	MHz	Ω		A		A	
Symbol	L	S.R.F	DCR		Isat		Irms	
RPNR252012S120M	12±20%	28	1.075	0.827	0.78	0.88	0.51	0.56
RPNR252012S150M	15±20%	25	1.591	1.224	0.68	0.77	0.42	0.46
RPNR252012S220M	22±20%	20	1.976	1.520	0.53	0.59	0.38	0.41
RPNR252012S330M	33±20%	12	2.364	1.970	0.33	0.50	0.54	0.60

RPNR3010系列(TYPE)

Part Number	Inductance	Self-resonant Frequency	DC Resistance		Saturation Current ³		Heat Rating Current ⁴	
	@100kHz,1V	Min.	Max.	Typ.	Max.	Typ.	Max.	Typ.
Units	μ H	MHz	Ω		A		A	
Symbol	L	S.R.F	DCR		Isat		Irms	
RPNR3010SR47N	0.47±30%	211	0.044	0.034	1.44	2.00	2.00	2.30
RPNR3010S1R0N	1.0±30%	180	0.085	0.065	1.40	2.10	1.45	1.80
RPNR3010S1R2N	1.2±30%	137	0.085	0.065	1.25	1.70	1.45	1.80
RPNR3010S1R5N	1.5±30%	120	0.104	0.080	1.27	1.70	1.30	1.60
RPNR3010S2R2N	2.2±30%	100	0.143	0.110	1.15	1.50	1.09	1.40
RPNR3010S2R7N	2.7±30%	90	0.169	0.130	1.00	1.20	1.02	1.40
RPNR3010S3R3N	3.3±30%	74	0.189	0.145	0.97	1.20	0.96	1.20
RPNR3010S3R6M	3.6±20%	67	0.215	0.165	0.95	1.20	0.90	1.10
RPNR3010S4R7M	4.7±20%	59	0.293	0.225	0.75	1.05	0.77	1.10
RPNR3010S5R6M	5.6±20%	40	0.322	0.248	0.58	0.65	0.70	1.05
RPNR3010S6R8M	6.8±20%	42	0.397	0.305	0.55	0.72	0.66	0.96
RPNR3010S8R2M	8.2±20%	23	0.520	0.400	0.55	0.70	0.58	0.70
RPNR3010S100M	10±20%	39	0.520	0.400	0.55	0.75	0.58	0.70
RPNR3010S120M	12±20%	36	0.657	0.505	0.43	0.65	0.52	0.67
RPNR3010S150M	15±20%	30	0.793	0.610	0.42	0.57	0.47	0.57
RPNR3010S220M	22±20%	28	1.209	0.930	0.35	0.48	0.38	0.52
RPNR3010S270M	27±20%	25	1.404	1.080	0.30	0.45	0.35	0.50
RPNR3010S330M	33±20%	18	2.015	1.550	0.29	0.42	0.30	0.55
RPNR3010S390M	39±20%	18	2.275	1.750	0.28	0.38	0.28	0.53
RPNR3010S430M	43±20%	18	2.340	1.800	0.23	0.36	0.27	0.52
RPNR3010S470M	47±20%	18	2.535	1.950	0.22	0.35	0.26	0.52
RPNR3010S510M	51±20%	18	2.860	2.200	0.21	0.33	0.25	0.48
RPNR3010S560M	56±20%	16	3.016	2.320	0.21	0.28	0.24	0.35

RPNR3012系列(TYPE)

Part Number	Inductance	Self-resonant Frequency	DC Resistance		Saturation Current'3		Heat Rating Current'4	
	@100kHz,1V	Min.	Max.	Typ.	Max.	Typ.	Max.	Typ.
Units	μ H	MHz	Ω		A		A	
Symbol	L	S.R.F	DCR		Isat		Irms	
RPNR3012SR22N	0.22±30%	321	0.022	0.017	5.30	6.00	3.00	3.30
RPNR3012SR47N	0.47±30%	200	0.024	0.020	2.95	3.39	2.95	3.39
RPNR3012SR82N	0.82±30%	180	0.039	0.030	2.05	2.80	2.47	3.00
RPNR3012S1R0N	1.0±30%	120	0.052	0.040	1.87	2.80	2.20	2.70
RPNR3012S1R2N	1.2±30%	120	0.059	0.045	2.22	2.50	2.01	2.20
RPNR3012S1R5N	1.5±30%	110	0.059	0.045	1.62	1.90	2.01	2.20
RPNR3012S1R8N	1.8±30%	90	0.082	0.063	1.30	1.90	1.65	1.80
RPNR3012S2R2N	2.2±30%	84	0.098	0.075	1.20	1.90	1.55	1.70
RPNR3012S2R4N	2.4±30%	100	0.088	0.068	1.15	1.50	1.60	1.70
RPNR3012S2R7N	2.7±30%	65	0.110	0.085	1.14	1.50	1.48	1.50
RPNR3012S3R3M	3.3±20%	64	0.130	0.100	1.05	1.50	1.36	1.40
RPNR3012S3R6M	3.6±20%	36	0.130	0.100	1.05	1.50	1.36	1.40
RPNR3012S3R9M	3.9±20%	61	0.189	0.145	1.00	1.30	1.24	1.30
RPNR3012S4R7M	4.7±20%	61	0.156	0.120	0.90	1.00	1.24	1.30
RPNR3012S5R6M	5.6±20%	61	0.226	0.174	0.80	1.10	1.13	1.24
RPNR3012S6R8M	6.8±20%	61	0.247	0.190	0.75	0.90	0.98	1.10
RPNR3012S100M	10±20%	42	0.345	0.265	0.60	0.88	0.83	0.90
RPNR3012S120M	12±20%	32	0.449	0.345	0.48	0.67	0.73	0.84
RPNR3012S150M	15±20%	27	0.468	0.360	0.45	0.62	0.71	0.77
RPNR3012S180M	18±20%	25	0.709	0.545	0.43	0.59	0.58	0.65
RPNR3012S220M	22±20%	23	0.839	0.645	0.42	0.52	0.53	0.59
RPNR3012S270M	27±20%	21	1.131	0.870	0.35	0.48	0.47	0.51
RPNR3012S330M	33±20%	18	1.138	0.875	0.36	0.46	0.46	0.50
RPNR3012S360M	36±20%	18	1.235	0.950	0.34	0.44	0.44	0.48
RPNR3012S390M	39±20%	18	1.729	1.330	0.30	0.39	0.37	0.41
RPNR3012S470M	47±20%	14	1.885	1.450	0.27	0.35	0.35	0.40
RPNR3012S560M	56±20%	9	1.794	1.380	0.26	0.33	0.28	0.40
RPNR3012S680M	68±20%	7	2.171	1.670	0.24	0.29	0.33	0.37
RPNR3012S820M	82±20%	7	3.302	2.540	0.17	0.27	0.27	0.31
RPNR3012S101M	100±20%	5	3.718	2.860	0.21	0.23	0.25	0.29

RPNR3015系列(TYPE)

Part Number	Inductance	Self-resonant Frequency	DC Resistance		Saturation Current'3		Heat Rating Current'4	
	@100kHz,1V	Min.	Max.	Typ.	Max.	Typ.	Max.	Typ.
Units	μ H	MHz	Ω		A		A	
Symbol	L	S.R.F	DCR		Isat		Irms	
RPNR3015SR22N	0.22±30%	342	0.023	0.018	5.50	6.50	3.25	3.70
RPNR3015SR47N	0.47±30%	162	0.039	0.030	3.90	4.20	2.60	2.80
RPNR3015SR68N	0.68±30%	115	0.039	0.030	2.30	2.60	2.40	2.90
RPNR3015SR82N	0.82±30%	149	0.047	0.036	3.40	4.00	2.35	2.70
RPNR3015S1R0N	1.0±30%	150	0.039	0.030	2.32	2.80	2.35	2.50
RPNR3015S1R2N	1.2±30%	110	0.052	0.040	2.21	3.10	1.95	2.30
RPNR3015S1R5N	1.5±30%	100	0.065	0.050	2.30	2.70	1.70	2.20
RPNR3015S1R8N	1.8±30%	92	0.065	0.050	1.75	2.20	1.70	2.20
RPNR3015S2R2N	2.2±30%	86	0.078	0.060	1.60	2.00	1.60	2.00
RPNR3015S2R7N	2.7±30%	64	0.098	0.075	1.52	1.90	1.43	1.90
RPNR3015S3R3M	3.3±20%	68	0.104	0.080	1.32	1.81	1.36	1.60
RPNR3015S3R6M	3.6±20%	59	0.137	0.105	1.28	1.60	1.20	1.50
RPNR3015S3R9M	3.9±20%	47	0.137	0.105	1.20	1.40	1.20	1.50
RPNR3015S4R3M	4.3±20%	53	0.150	0.115	1.20	1.40	1.14	1.30
RPNR3015S4R7M	4.7±20%	46	0.163	0.125	1.10	1.40	1.09	1.30
RPNR3015S5R1M	5.1±20%	49	0.173	0.133	1.00	1.20	1.05	1.20
RPNR3015S6R2M	6.2±20%	46	0.254	0.195	1.00	1.20	0.86	1.00
RPNR3015S6R8M	6.8±20%	39	0.260	0.200	0.85	1.10	0.85	1.10
RPNR3015S8R2M	8.2±20%	40	0.312	0.240	0.80	0.90	0.80	0.90
RPNR3015S100M	10±20%	41	0.325	0.250	0.72	0.92	0.77	0.90
RPNR3015S120M	12±20%	32	0.416	0.320	0.70	0.90	0.68	0.89
RPNR3015S150M	15±20%	30	0.455	0.350	0.66	0.88	0.65	0.72
RPNR3015S180M	18±20%	23	0.559	0.430	0.56	0.72	0.59	0.72
RPNR3015S220M	22±20%	23	0.598	0.460	0.52	0.68	0.57	0.69
RPNR3015S270M	27±20%	22	0.949	0.730	0.48	0.56	0.45	0.56
RPNR3015S330M	33±20%	20	1.066	0.820	0.44	0.53	0.43	0.51
RPNR3015S390M	39±20%	14	1.294	0.995	0.41	0.55	0.39	0.44
RPNR3015S430M	43±20%	16	1.378	1.060	0.37	0.43	0.37	0.48
RPNR3015S470M	47±20%	14	1.625	1.250	0.35	0.43	0.35	0.44
RPNR3015S510M	51±20%	10	2.256	1.735	0.44	0.50	0.50	0.56
RPNR3015S560M	56±20%	13	1.664	1.280	0.33	0.42	0.34	0.41
RPNR3015S620M	62±20%	13	2.093	1.610	0.30	0.40	0.30	0.41
RPNR3015S680M	68±20%	11	3.510	2.700	0.28	0.37	0.23	0.31
RPNR3015S750M	75±20%	7.4	3.640	2.800	0.35	0.40	0.45	0.50
RPNR3015S820M	82±20%	10	3.510	2.700	0.24	0.32	0.27	0.31
RPNR3015S101M	100±20%	6.3	4.043	3.110	0.23	0.25	0.21	0.25
RPNR3015S121M	120±20%	7.8	4.368	3.360	0.22	0.25	0.23	0.27
RPNR3015S151M	150±20%	4.7	4.940	3.800	0.18	0.22	0.19	0.23
RPNR3015S221M	220±20%	4	5.811	4.470	0.16	0.20	0.35	0.40

RPNR4010系列(TYPE)

Part Number	Inductance	Self-resonant Frequency	DC Resistance		Saturation Current ³		Heat Rating Current ⁴	
	@100kHz,1V	Min.	Max.	Typ.	Max.	Typ.	Max.	Typ.
Units	μ H	MHz	Ω		A		A	
Symbol	L	S.R.F	DCR		Isat		Irms	
RPNR4010S1R0N	1.0±30%	116	0.067	0.056	2.00	2.30	1.90	2.40
RPNR4010S1R5N	1.5±30%	94	0.084	0.070	1.68	2.00	1.70	2.00
RPNR4010S2R2M	2.2±20%	73	0.102	0.085	1.20	1.50	1.50	2.00
RPNR4010S3R3M	3.3±20%	58	0.120	0.100	1.10	1.40	1.40	1.80
RPNR4010S4R7M	4.7±20%	47	0.168	0.140	0.95	1.10	1.20	1.50
RPNR4010S6R8M	6.8±20%	38	0.240	0.200	0.80	0.95	1.00	1.20
RPNR4010S100M	10±20%	31	0.360	0.300	0.62	0.75	0.75	1.00
RPNR4010S150M	15±20%	24	0.516	0.430	0.54	0.61	0.60	0.85
RPNR4010S220M	22±20%	19	0.684	0.570	0.45	0.52	0.50	0.75

RPNR4012系列(TYPE)

Part Number	Inductance	Self-resonant Frequency	DC Resistance		Saturation Current ³		Heat Rating Current ⁴	
	@100kHz,1V	Min.	Max.	Typ.	Max.	Typ.	Max.	Typ.
Units	μ H	MHz	Ω		A		A	
Symbol	L	S.R.F	DCR		Isat		Irms	
RPNR4012SR47N	0.47±30%	184	0.049	0.038	4.00	5.20	3.30	3.75
RPNR4012SR82N	0.82±30%	150	0.065	0.050	3.02	3.30	1.65	2.50
RPNR4012S1R0N	1.0±30%	120	0.065	0.050	2.61	3.20	1.65	2.50
RPNR4012S1R2N	1.2±30%	88	0.085	0.065	3.00	3.50	1.46	2.20
RPNR4012S1R5N	1.5±30%	90	0.085	0.065	2.10	2.70	1.46	2.20
RPNR4012S1R8N	1.8±30%	88	0.104	0.080	2.12	2.60	1.32	1.90
RPNR4012S2R2N	2.2±30%	74	0.104	0.080	1.76	2.30	1.32	1.90
RPNR4012S2R7N	2.7±30%	71	0.117	0.090	1.90	2.30	1.25	1.70
RPNR4012S3R3N	3.3±30%	60	0.143	0.110	1.72	2.10	1.12	1.60
RPNR4012S3R6N	3.6±30%	57	0.143	0.110	1.20	1.70	1.12	1.60
RPNR4012S4R3N	4.3±30%	54	0.182	0.140	1.58	1.70	1.00	1.50
RPNR4012S4R7N	4.7±30%	50	0.163	0.125	1.15	1.80	1.05	1.50
RPNR4012S5R1N	5.1±30%	50	0.201	0.155	1.55	1.60	0.95	1.50
RPNR4012S5R6N	5.6±30%	42	0.182	0.140	1.00	1.60	1.00	1.20
RPNR4012S6R8M	6.8±20%	40	0.257	0.198	0.85	1.40	0.84	1.20
RPNR4012S100M	10±20%	33	0.345	0.265	0.80	1.10	0.77	1.00
RPNR4012S120M	12±20%	32	0.377	0.290	0.66	1.00	0.70	0.95
RPNR4012S150M	15±20%	25	0.442	0.340	0.56	0.80	0.64	0.85
RPNR4012S180M	18±20%	23	0.611	0.470	0.55	0.75	0.55	0.80
RPNR4012S220M	22±20%	20	0.763	0.587	0.46	0.70	0.49	0.75
RPNR4012S270M	27±20%	18	0.936	0.720	0.50	0.70	0.45	0.60
RPNR4012S330M	33±20%	17	1.053	0.810	0.42	0.60	0.42	0.58
RPNR4012S360M	36±20%	14	1.170	0.900	0.40	0.50	0.40	0.56

RPNR4012系列(TYPE)

Part Number	Inductance	Self-resonant Frequency	DC Resistance		Saturation Current ³		Heat Rating Current ⁴	
	@100kHz,1V		Max.	Typ.	Max.	Typ.	Max.	Typ.
Units	μH	MHz	Ω		A		A	
Symbol	L	S.R.F	DCR		Isat		Irms	
RPNR4012S390M	39±20%	16	1.430	1.100	0.55	0.66	0.37	0.50
RPNR4012S470M	47±20%	12	1.430	1.100	0.35	0.50	0.37	0.50
RPNR4012S560M	56±20%	11	1.625	1.250	0.33	0.45	0.33	0.46
RPNR4012S680M	68±20%	11	2.535	1.950	0.38	0.45	0.27	0.45
RPNR4012S820M	82±20%	11	2.782	2.140	0.28	0.40	0.26	0.36
RPNR4012S101M	100±20%	9.4	2.873	2.210	0.25	0.30	0.25	0.35

RPNR4018系列(TYPE)

Part Number	Inductance	Self-resonant Frequency	DC Resistance		Saturation Current ³		Heat Rating Current ⁴	
	@100kHz,1V		Max.	Typ.	Max.	Typ.	Max.	Typ.
Units	μH	MHz	Ω		A		A	
Symbol	L	S.R.F	DCR		Isat		Irms	
RPNR4018SR22N	0.22±30%	338	0.013	0.010	6.30	7.25	5.50	6.30
RPNR4018SR24N	0.24±30%	320	0.017	0.013	9.35	11.00	4.05	4.65
RPNR4018SR47N	0.47±30%	155	0.018	0.014	4.30	5.20	4.00	4.50
RPNR4018SR68N	0.68±30%	128	0.026	0.020	4.90	5.60	3.30	3.80
RPNR4018S1R0N	1.0±30%	80	0.033	0.025	4.80	5.20	2.00	3.30
RPNR4018S1R2N	1.2±30%	74	0.033	0.025	3.40	4.00	2.00	3.30
RPNR4018S1R5N	1.5±30%	65	0.039	0.030	3.35	4.00	1.80	3.20
RPNR4018S1R8N	1.8±30%	54	0.044	0.034	3.00	3.40	2.00	2.80
RPNR4018S2R2M	2.2±20%	52	0.059	0.045	2.70	3.20	1.65	2.60
RPNR4018S3R3M	3.3±20%	44	0.091	0.070	2.45	2.90	1.23	2.10
RPNR4018S3R6M	3.6±20%	51	0.117	0.090	2.50	2.90	1.20	1.80
RPNR4018S4R7M	4.7±20%	34	0.117	0.090	1.70	2.20	1.20	1.80
RPNR4018S5R6M	5.6±20%	41	0.139	0.107	1.60	1.84	1.50	1.73
RPNR4018S6R8M	6.8±20%	29	0.143	0.110	1.45	2.00	1.06	1.50
RPNR4018S8R2M	8.2±20%	33	0.221	0.170	1.40	1.50	1.40	1.50
RPNR4018S100M	10±20%	24	0.234	0.180	1.30	1.60	0.84	1.20
RPNR4018S150M	15±20%	19	0.325	0.250	0.94	1.10	0.65	1.00
RPNR4018S180M	18±20%	13	0.572	0.440	1.30	1.45	0.85	0.95
RPNR4018S220M	22±20%	16	0.468	0.360	0.80	0.88	0.59	0.85
RPNR4018S270M	27±20%	27	0.611	0.470	0.47	0.62	0.52	0.90
RPNR4018S330M	33±20%	12	0.689	0.530	0.56	0.75	0.49	0.72
RPNR4018S470M	47±20%	10	0.845	0.650	0.57	0.70	0.42	0.65
RPNR4018S560M	56±20%	15	1.300	1.000	0.61	0.73	0.32	0.36
RPNR4018S680M	68±20%	8.3	1.300	1.000	0.47	0.51	0.32	0.52
RPNR4018S101M	100±20%	6.5	2.275	1.750	0.40	0.44	0.25	0.41
RPNR4018S151M	150±20%	5.5	3.250	2.500	0.31	0.34	0.22	0.36
RPNR4018S221M	220±20%	4	5.200	4.000	0.27	0.30	0.17	0.27

RPNR4020系列(TYPE)

Part Number	Inductance	Self-resonant Frequency	DC Resistance		Saturation Current ³		Heat Rating Current ⁴	
	@100kHz,1V	Min.	Max.	Typ.	Max.	Typ.	Max.	Typ.
Units	μH	MHz	Ω		A		A	
Symbol	L	S.R.F	DCR		Isat		Irms	
RPNR4020SR22N	0.22±30%	328	0.017	0.013	12.40	13.50	5.00	5.75
RPNR4020SR24M	0.24±20%	283	0.014	0.011	10.50	12.50	4.50	5.20
RPNR4020SR33N	0.33±30%	223	0.016	0.013	7.50	8.50	3.30	4.90
RPNR4020SR47N	0.47±30%	160	0.029	0.022	7.00	7.50	3.30	3.70
RPNR4020SR68N	0.68±30%	120	0.036	0.028	6.40	6.60	2.80	3.30
RPNR4020S1R0N	1.0±30%	75	0.038	0.029	4.78	5.20	2.15	3.20
RPNR4020S1R2N	1.2±30%	72	0.038	0.029	5.10	5.60	2.15	3.20
RPNR4020S1R5N	1.5±30%	71	0.046	0.035	4.45	4.90	1.98	3.00
RPNR4020S1R8N	1.8±30%	76	0.051	0.039	4.00	4.60	2.50	2.80
RPNR4020S2R2N	2.2±30%	49	0.052	0.040	3.40	3.70	1.85	2.80
RPNR4020S2R7M	2.7±20%	56	0.069	0.053	2.55	3.50	1.55	1.80
RPNR4020S3R3M	3.3±20%	44	0.091	0.070	3.20	3.50	1.40	2.50
RPNR4020S3R6M	3.6±20%	49	0.072	0.055	2.80	3.00	1.54	2.50
RPNR4020S4R7M	4.7±20%	42	0.098	0.075	2.35	2.50	1.34	2.00
RPNR4020S5R1M	5.1±20%	42	0.111	0.085	2.30	2.50	1.27	1.80
RPNR4020S5R6M	5.6±20%	30	0.117	0.090	2.20	2.40	1.22	1.80
RPNR4020S6R2M	6.2±20%	36	0.150	0.115	2.15	2.30	1.08	1.60
RPNR4020S6R8M	6.8±20%	33	0.163	0.125	2.20	2.40	1.04	1.60
RPNR4020S7R5M	7.5±20%	30	0.150	0.115	1.85	2.00	1.08	1.50
RPNR4020S8R2M	8.2±20%	27	0.163	0.125	1.75	1.90	1.04	1.40
RPNR4020S100M	10±20%	26	0.215	0.165	1.60	1.70	0.90	1.20
RPNR4020S120M	12±20%	26	0.228	0.175	1.50	1.60	0.88	1.20
RPNR4020S150M	15±20%	24	0.299	0.230	1.35	1.50	0.77	1.10
RPNR4020S220M	22±20%	15	0.455	0.350	1.05	1.10	0.62	0.87
RPNR4020S270M	27±20%	14	0.709	0.545	1.02	1.10	0.50	0.70
RPNR4020S330M	33±20%	11	0.715	0.550	0.85	0.93	0.49	0.68
RPNR4020S390M	39±20%	11	0.845	0.650	0.82	0.90	0.46	0.64
RPNR4020S430M	43±20%	10	0.858	0.660	0.77	0.85	0.45	0.63
RPNR4020S470M	47±20%	10	0.923	0.710	0.74	0.81	0.44	0.61
RPNR4020S510M	51±20%	10	0.975	0.750	0.70	0.77	0.42	0.59
RPNR4020S560M	56±20%	10	1.040	0.80	0.66	0.72	0.41	0.57
RPNR4020S620M	62±20%	9.6	1.170	0.90	0.65	0.71	0.39	0.52
RPNR4020S680M	68±20%	7.7	1.380	1.060	0.61	0.67	0.36	0.50
RPNR4020S750M	75±20%	7.7	1.510	1.160	0.70	0.77	0.35	0.49
RPNR4020S820M	82±20%	7.2	1.520	1.170	0.50	0.55	0.34	0.47
RPNR4020S101M	100±20%	6.3	2.020	1.550	0.48	0.53	0.31	0.43
RPNR4020S221M	220±20%	4.3	5.460	4.20	0.30	0.40	0.30	0.34

RPNR4026系列(TYPE)

Part Number	Inductance	Self-resonant Frequency	DC Resistance		Saturation Current'3		Heat Rating Current'4	
	@100kHz,1V	Min.	Max.	Typ.	Max.	Typ.	Max.	Typ.
Units	μ H	MHz	Ω		A		A	
Symbol	L	S.R.F	DCR		Isat		Irms	
RPNR4026S1R0N	1.0±30%	151	0.031	0.024	3.30	3.80	3.00	3.30
RPNR4026S1R2N	1.2±30%	120	0.039	0.030	3.10	3.40	2.30	3.30
RPNR4026S1R5N	1.5±30%	100	0.039	0.030	2.40	2.90	2.30	3.10
RPNR4026S2R2M	2.2±20%	96	0.052	0.040	2.10	2.40	2.00	3.80
RPNR4026S3R3M	3.3±20%	58	0.065	0.050	1.80	2.00	1.70	2.50
RPNR4026S4R7M	4.7±20%	46	0.072	0.055	1.45	1.70	1.60	2.30
RPNR4026S6R8M	6.8±20%	33	0.085	0.065	1.30	1.50	1.50	2.00
RPNR4026S100M	10±20%	26	0.110	0.085	1.00	1.20	1.30	1.90
RPNR4026S150M	15±20%	19	0.143	0.110	0.90	1.00	1.10	1.50
RPNR4026S220M	22±20%	13	0.214	0.165	0.60	0.80	0.90	1.40
RPNR4026S330M	33±20%	9	0.351	0.270	0.55	0.65	0.70	1.00
RPNR4026S470M	47±20%	6	0.390	0.30	0.40	0.55	0.65	0.90
RPNR4026S331M	330±20%	3	3.600	3.000	0.15	0.17	0.25	0.29

RPNR4030系列(TYPE)

Part Number	Inductance	Self-resonant Frequency	DC Resistance		Saturation Current'3		Heat Rating Current'4	
	@100kHz,1V	Min.	Max.	Typ.	Max.	Typ.	Max.	Typ.
Units	μ H	MHz	Ω		A		A	
Symbol	L	S.R.F	DCR		Isat		Irms	
RPNR4030SR47N	0.47±30%	184	0.010	0.008	7.80	9.80	5.20	5.90
RPNR4030SR56N	0.56±30%	122	0.011	0.009	9.00	10.40	5.20	6.00
RPNR4030SR68N	0.68±30%	130	0.013	0.010	6.80	8.00	4.56	5.10
RPNR4030SR91N	0.91±30%	100	0.017	0.013	6.25	6.80	4.15	4.70
RPNR4030S1R0N	1.0±30%	70	0.018	0.014	5.26	5.70	4.15	4.70
RPNR4030S1R2N	1.2±30%	80	0.020	0.015	5.80	6.30	3.82	4.20
RPNR4030S1R5N	1.5±30%	62	0.026	0.020	4.84	5.30	3.34	3.60
RPNR4030S1R8N	1.8±30%	60	0.033	0.025	5.40	5.80	3.20	3.30
RPNR4030S2R2N	2.2±30%	52	0.039	0.030	4.90	5.80	2.95	3.20
RPNR4030S3R3M	3.3±20%	38	0.052	0.040	3.30	3.60	2.40	2.60
RPNR4030S3R6M	3.6±20%	37	0.052	0.040	3.00	3.50	2.40	2.60

RPNR4030系列(TYPE)

Part Number	Inductance	Self-resonant Frequency	DC Resistance		Saturation Current'3		Heat Rating Current'4	
	@100kHz,1V	Min.	Max.	Typ.	Max.	Typ.	Max.	Typ.
Units	μ H	MHz	Ω		A		A	
Symbol	L	S.R.F	DCR		Isat		Irms	
RPNR4030S3R9M	3.9±20%	32	0.074	0.057	3.00	3.30	2.10	2.30
RPNR4030S4R3M	4.3±20%	37	0.072	0.055	2.95	3.20	2.10	2.30
RPNR4030S4R7M	4.7±20%	31	0.078	0.060	2.90	3.20	2.00	2.30
RPNR4030S5R6M	5.6±20%	30	0.085	0.065	2.60	2.80	1.95	2.10
RPNR4030S6R2M	6.2±20%	27	0.117	0.090	3.00	3.45	1.60	1.70
RPNR4030S6R8M	6.8±20%	24	0.117	0.090	2.75	3.00	1.60	1.70
RPNR4030S7R5M	7.5±20%	26	0.110	0.085	2.20	2.40	1.65	1.80
RPNR4030S8R2M	8.2±20%	26	0.117	0.090	2.10	2.30	1.60	1.70
RPNR4030S100M	10±20%	21	0.130	0.10	1.95	2.40	1.50	1.60
RPNR4030S120M	12±20%	18	0.175	0.135	1.70	1.80	1.30	1.40
RPNR4030S150M	15±20%	16	0.247	0.190	1.65	1.80	1.11	1.20
RPNR4030S180M	18±20%	10	0.260	0.20	1.40	1.50	1.10	1.20
RPNR4030S220M	22±20%	10	0.292	0.225	1.30	1.40	1.00	1.20
RPNR4030S270M	27±20%	10	0.338	0.260	1.15	1.35	0.90	1.05
RPNR4030S330M	33±20%	10	0.429	0.330	1.10	1.20	0.84	0.92
RPNR4030S360M	36±20%	9.8	0.436	0.335	1.05	1.10	0.83	0.91
RPNR4030S390M	39±20%	10	0.566	0.435	1.03	1.10	0.73	0.80
RPNR4030S470M	47±20%	8.4	0.579	0.445	0.95	1.00	0.72	0.80
RPNR4030S510M	51±20%	8.4	0.611	0.470	0.90	1.13	0.70	0.80
RPNR4030S560M	56±20%	8.4	0.722	0.555	0.85	0.94	0.65	0.71
RPNR4030S620M	62±20%	7	0.761	0.585	0.80	0.99	0.63	0.70
RPNR4030S680M	68±20%	7	1.128	0.868	0.72	0.80	0.52	0.57
RPNR4030S750M	75±20%	6.3	1.326	1.020	0.70	0.88	0.48	0.53
RPNR4030S820M	82±20%	5.6	1.378	1.060	0.66	0.72	0.47	0.52
RPNR4030S910M	91±20%	5.6	1.430	1.10	0.65	0.71	0.46	0.50
RPNR4030S101M	100±20%	5.6	1.495	1.150	0.60	0.73	0.45	0.49
RPNR4030S121M	120±20%	5.4	1.755	1.350	0.55	0.60	0.42	0.46
RPNR4030S151M	150±20%	4	2.340	1.80	0.50	0.55	0.30	0.35
RPNR4030S221M	220±20%	4.2	3.250	2.50	0.40	0.50	0.35	0.40
RPNR4030S331M	330±20%	6.8	5.20	4.0	0.30	0.40	0.25	0.26
RPNR4030S471M	470±10%	2	9.360	7.20	0.30	0.35	0.20	0.23
RPNR4030S501M	500±20%	2	9.027	6.944	0.28	0.30	0.15	0.20
RPNR4030S681M	680±20%	1.2	9.854	7.580	0.19	0.20	0.14	0.18

RPNR5012系列(TYPE)

Part Number	Inductance	Self-resonant Frequency	DC Resistance		Saturation Current ³		Heat Rating Current ⁴	
	@100kHz,1V		Max.	Typ.	Max.	Typ.	Max.	Typ.
Units	μ H	MHz	Ω		A		A	
Symbol	L	S.R.F	DCR		Isat		Irms	
RPNR5012SR22N	0.22±30%	315	0.034	0.028	8.10	9.30	3.00	3.30
RPNR5012SR47N	0.47±30%	184	0.046	0.035	6.00	7.00	2.80	3.30
RPNR5012SR68N	0.68±30%	213	0.057	0.044	3.30	3.80	2.40	2.80
RPNR5012S1R0N	1.0±30%	103	0.068	0.057	4.40	4.70	2.00	2.40
RPNR5012S1R2N	1.2±30%	96	0.068	0.057	2.45	3.40	2.00	2.40
RPNR5012S1R5N	1.5±30%	68	0.086	0.072	3.70	3.80	1.90	2.20
RPNR5012S2R2N	2.2±30%	50	0.108	0.090	3.10	3.20	1.70	2.00
RPNR5012S3R3N	3.3±30%	34	0.151	0.126	2.40	2.60	1.40	1.70
RPNR5012S4R7N	4.7±30%	31	0.197	0.164	2.20	2.30	1.30	1.50
RPNR5012S6R8M	6.8±20%	22	0.294	0.245	1.70	1.90	1.00	1.20
RPNR5012S100M	10±20%	17	0.413	0.344	1.40	1.50	0.85	1.00
RPNR5012S150M	15±20%	13	0.523	0.436	1.20	1.30	0.80	0.92
RPNR5012S220M	22±20%	16	0.858	0.780	0.88	0.98	0.60	0.68
RPNR5012S101M	100±20%	7.6	3.536	2.720	0.38	0.47	0.33	0.38

RPNR5020系列(TYPE)

Part Number	Inductance	Self-resonant Frequency	DC Resistance		Saturation Current ³		Heat Rating Current ⁴	
	@100kHz,1V		Max.	Typ.	Max.	Typ.	Max.	Typ.
Units	μ H	MHz	Ω		A		A	
Symbol	L	S.R.F	DCR		Isat		Irms	
RPNR5020SR22N	0.22±30%	280	0.011	0.009	9.00	12.00	5.30	6.00
RPNR5020SR24N	0.24±30%	248	0.011	0.009	8.00	10.00	5.30	6.00
RPNR5020SR47N	0.47±30%	160	0.017	0.013	6.15	6.70	4.60	5.00
RPNR5020SR56N	0.56±30%	137	0.022	0.017	8.50	9.60	3.80	4.20
RPNR5020SR68N	0.68±30%	120	0.022	0.017	5.50	6.00	4.00	4.40
RPNR5020SR75N	0.75±30%	117	0.022	0.017	5.50	6.00	4.00	4.40
RPNR5020S1R0N	1.0±30%	114	0.026	0.020	4.10	5.00	3.80	4.10
RPNR5020S1R2N	1.2±30%	83	0.029	0.022	4.50	4.90	3.55	3.90
RPNR5020S1R5N	1.5±30%	68	0.034	0.026	4.10	4.50	3.20	3.50
RPNR5020S2R2N	2.2±30%	57	0.042	0.032	3.20	4.00	2.90	3.10
RPNR5020S2R7N	2.7±30%	52	0.049	0.038	2.90	3.50	2.70	2.90
RPNR5020S3R0N	3.0±30%	49	0.049	0.038	2.55	2.80	2.70	2.90
RPNR5020S3R3N	3.3±30%	46	0.056	0.043	2.55	3.00	2.50	2.70
RPNR5020S3R6N	3.6±30%	43	0.056	0.043	2.80	3.00	2.50	2.70
RPNR5020S3R9N	3.9±30%	40	0.056	0.043	2.30	2.80	2.50	2.70
RPNR5020S4R3M	4.3±20%	37	0.074	0.057	2.50	3.00	2.20	2.40
RPNR5020S4R7M	4.7±20%	37	0.074	0.057	2.50	2.70	2.20	2.40

RPNR5020系列(TYPE)

Part Number	Inductance @100kHz,1V	Self-resonant Frequency Min.	DC Resistance		Saturation Current ³		Heat Rating Current ⁴	
			Max.	Typ.	Max.	Typ.	Max.	Typ.
Units	μ H	MHz	Ω		A		A	
Symbol	L	S.R.F	DCR		Isat		Irms	
RPNR5020S5R1M	5.1±20%	32	0.083	0.064	2.25	2.60	2.05	2.20
RPNR5020S5R6M	5.6±20%	32	0.083	0.064	2.30	2.50	2.05	2.20
RPNR5020S6R8M	6.8±20%	30	0.108	0.083	2.05	2.20	1.80	1.90
RPNR5020S7R5M	7.5±20%	26	0.117	0.090	1.85	2.00	1.75	1.90
RPNR5020S8R2M	8.2±20%	26	0.127	0.098	1.85	2.00	1.65	1.80
RPNR5020S9R1M	9.1±20%	24	0.143	0.110	1.70	1.80	1.55	1.70
RPNR5020S100M	10±20%	24	0.143	0.110	1.70	1.80	1.55	1.70
RPNR5020S120M	12±20%	22	0.182	0.140	1.50	1.60	1.40	1.50
RPNR5020S150M	15±20%	20	0.215	0.165	1.35	1.40	1.25	1.30
RPNR5020S180M	18±20%	16	0.260	0.20	1.25	1.30	1.15	1.20
RPNR5020S220M	22±20%	14	0.294	0.226	1.15	1.20	1.10	1.20
RPNR5020S330M	33±20%	10	0.507	0.390	0.92	1.00	0.90	0.99
RPNR5020S470M	47±20%	7	0.680	0.523	0.77	0.84	0.77	0.84
RPNR5020S560M	56±20%	6	0.819	0.630	0.77	0.84	0.70	0.77
RPNR5020S620M	62±20%	6	0.819	0.630	0.60	0.80	0.70	0.77
RPNR5020S680M	68±20%	6	0.962	0.740	0.65	0.70	0.64	0.70
RPNR5020S820M	82±20%	6	1.158	0.965	0.65	0.75	0.50	0.60
RPNR5020S101M	100±20%	6	1.430	1.10	0.53	0.58	0.53	0.58
RPNR5020S121M	120±20%	6	1.755	1.350	0.42	0.53	0.40	0.50
RPNR5020S151M	150±20%	4	2.795	2.150	0.55	0.63	0.35	0.40
RPNR5020S201M	200±20%	4.5	2.60	2.0	0.30	0.33	0.40	0.45
RPNR5020S221M	220±20%	2.9	3.094	2.380	0.30	0.40	0.37	0.43
RPNR5020S561M	560±20%	3.2	9.061	6.970	0.24	0.30	0.20	0.30

RPNR5040系列(TYPE)

Part Number	Inductance @100kHz,1V	Self-resonant Frequency Min.	DC Resistance		Saturation Current ³		Heat Rating Current ⁴	
			Max.	Typ.	Max.	Typ.	Max.	Typ.
Units	μ H	MHz	Ω		A		A	
Symbol	L	S.R.F	DCR		Isat		Irms	
RPNR5040SR22M	0.22 ±20%	289	0.008	0.006	18.00	20.00	6.50	7.50
RPNR5040SR24N	0.24 ±30%	251	0.008	0.006	15.70	18.00	6.40	7.40
RPNR5040SR47M	0.47 ±20%	171	0.009	0.007	10.00	11.50	6.60	7.60
RPNR5040S1R0N	1.0±30%	117	0.016	0.012	7.35	8.00	4.90	5.00
RPNR5040S1R2N	1.2±30%	110	0.021	0.016	6.50	7.00	4.15	4.25
RPNR5040S1R5N	1.5±30%	86	0.020	0.015	6.30	6.80	4.30	4.85
RPNR5040S1R8M	1.8±20%	55	0.021	0.016	5.50	6.05	4.15	4.30

RPNR5040系列(TYPE)

Part Number	Inductance @100kHz,1V	Self- resonant Frequency Min.	DC Resistance		Saturation Current ³		Heat Rating Current ⁴	
			Max.	Typ.	Max.	Typ.	Max.	Typ.
Units	μ H	MHz	Ω		A		A	
Symbol	L	S.R.F	DCR		Isat		Irms	
RPNR5040S2R2N	2.2±30%	50	0.025	0.019	4.90	5.50	3.80	4.20
RPNR5040S2R7N	2.7±30%	37	0.029	0.022	4.30	4.80	3.60	4.00
RPNR5040S3R0N	3.0±30%	37	0.029	0.022	4.15	4.60	3.60	4.00
RPNR5040S3R3N	3.3±30%	32	0.031	0.024	3.95	4.45	3.40	3.90
RPNR5040S3R6M	3.6±20%	30	0.034	0.026	3.80	4.40	3.30	3.70
RPNR5040S3R9N	3.9±30%	29	0.035	0.027	3.55	4.00	3.20	3.70
RPNR5040S4R7N	4.7±30%	28	0.039	0.030	3.50	3.80	3.00	3.30
RPNR5040S5R6M	5.6±20%	27	0.046	0.035	3.00	3.70	2.80	3.10
RPNR5040S6R8M	6.8±20%	21	0.056	0.043	2.90	3.40	2.50	2.80
RPNR5040S8R2M	8.2±20%	20	0.062	0.048	2.70	2.90	2.30	2.60
RPNR5040S100M	10±20%	18	0.083	0.064	2.35	2.70	2.10	2.35
RPNR5040S120M	12±20%	14	0.100	0.077	2.20	2.50	2.00	2.10
RPNR5040S150M	15±20%	13	0.112	0.086	2.00	2.20	2.00	2.05
RPNR5040S180M	18±20%	12	0.155	0.119	1.70	2.00	1.45	1.65
RPNR5040S220M	22±20%	11	0.168	0.129	1.60	1.80	1.50	1.60
RPNR5040S270M	27±20%	9.8	0.244	0.188	1.52	1.75	1.10	1.25
RPNR5040S330M	33±20%	9	0.244	0.188	1.30	1.45	1.20	1.35
RPNR5040S470M	47±20%	7	0.354	0.272	1.10	1.20	1.00	1.15
RPNR5040S510M	51±20%	6	0.494	0.380	1.00	1.20	1.00	1.10
RPNR5040S560M	56±20%	6	0.494	0.380	1.05	1.20	0.80	0.90
RPNR5040S680M	68±20%	6	0.520	0.40	0.90	1.00	0.80	0.90
RPNR5040S750M	75±20%	6	0.585	0.450	0.85	0.95	0.72	0.80
RPNR5040S101M	100±20%	5	0.728	0.560	0.75	0.85	0.70	0.78
RPNR5040S151M	150±20%	3.7	0.975	0.750	0.65	0.67	0.60	0.70
RPNR5040S221M	220±20%	3.0	1.820	1.40	0.48	0.55	0.40	0.50
RPNR5040S301M	300±20%	2.7	2.60	2.0	0.50	0.58	0.35	0.40
RPNR5040S331M	330±20%	2.7	2.730	2.10	0.42	0.47	0.40	0.50
RPNR5040S471M	470±20%	2.7	3.90	3.0	0.37	0.43	0.35	0.40
RPNR5040S561M	560±20%	1.3	4.920	3.780	0.31	0.36	0.31	0.35
RPNR5040S681M	680±20%	1.3	5.070	3.90	0.30	0.35	0.25	0.30
RPNR5040S102M	1000±20%	1.3	7.80	6.0	0.21	0.25	0.20	0.23
RPNR5040S152M	1500±20%	1.2	10.582	8.140	0.20	0.23	0.19	0.22
RPNR5040S332M	3300±20%	0.9	25.20	21.0	0.140	0.150	0.100	0.120
RPNR5040S472M	4700±20%	0.6	45.50	35.0	0.110	0.130	0.080	0.100
RPNR5040S562M	5600±20%	0.49	50.70	39.0	0.105	0.120	0.080	0.092
RPNR5040S682M	6800±20%	0.38	55.90	43.0	0.090	0.110	0.075	0.086
RPNR5040S822M	8200±20%	0.38	55.90	43.0	0.070	0.085	0.075	0.086
RPNR5040S103M	10000±20%	0.32	58.50	45.0	0.065	0.075	0.075	0.086

RPNR6020系列(TYPE)

Part Number	Inductance	Self-resonant Frequency	DC Resistance		Saturation Current ³		Heat Rating Current ⁴	
	@100kHz,1V	Min.	Max.	Typ.	Max.	Typ.	Max.	Typ.
Units	μ H	MHz	Ω		A		A	
Symbol	L	S.R.F	DCR		Isat		Irms	
RPNR6020SR50N	0.50±30%	0.018	0.014	120	4.50	6.00	4.00	5.00
RPNR6020SR68N	0.68±30%	0.022	0.017	115	6.55	7.80	3.80	4.80
RPNR6020SR82N	0.82±30%	0.022	0.017	110	5.30	6.30	3.80	4.80
RPNR6020S1R0N	1.0±30%	0.020	0.020	100	4.15	5.00	3.50	4.40
RPNR6020S1R2N	1.2±30%	0.029	0.022	88	5.90	7.00	3.20	4.00
RPNR6020S1R5N	1.5±30%	0.029	0.022	79	4.25	5.10	3.20	4.00
RPNR6020S1R8N	1.8±30%	0.036	0.028	68	4.85	5.80	2.75	3.50
RPNR6020S2R0N	2.0±30%	0.046	0.035	65	4.10	4.90	2.60	3.30
RPNR6020S2R2N	2.2±30%	0.036	0.028	61	3.75	4.50	2.75	3.50
RPNR6020S2R7N	2.7±30%	0.046	0.035	56	3.90	4.60	2.60	3.30
RPNR6020S3R3N	3.3±30%	0.046	0.035	51	3.15	3.70	2.60	3.30
RPNR6020S3R9N	3.9±30%	0.064	0.049	45	3.25	3.90	2.10	2.60
RPNR6020S4R3N	4.3±30%	0.064	0.049	44	2.70	3.20	2.10	2.60
RPNR6020S4R7N	4.7±30%	0.075	0.058	41	3.00	3.60	2.00	2.50
RPNR6020S5R6N	5.6±30%	0.075	0.058	36	2.40	2.90	1.90	2.40
RPNR6020S6R2N	6.2±30%	0.103	0.079	31	2.30	2.70	1.80	2.30
RPNR6020S6R8N	6.8±30%	0.103	0.079	31	2.20	2.60	1.80	2.30
RPNR6020S8R2N	8.2±30%	0.137	0.105	27	2.10	2.50	1.40	1.80
RPNR6020S100M	10±20%	0.137	0.105	27	1.75	2.10	1.40	1.80
RPNR6020S120M	12±20%	0.156	0.120	25	1.45	1.70	1.30	1.60
RPNR6020S150M	15±20%	0.189	0.145	21	1.20	1.40	1.20	1.50
RPNR6020S180M	18±20%	0.234	0.180	18	1.20	1.40	1.08	1.40
RPNR6020S220M	22±20%	0.265	0.204	16	1.05	1.20	1.00	1.30
RPNR6020S330M	33±20%	0.390	0.30	11	0.95	1.10	0.84	1.05
RPNR6020S470M	47±20%	0.559	0.430	10	0.70	0.90	0.80	0.90
RPNR6020S680M	68±20%	0.820	0.630	8.7	0.50	0.60	0.75	0.86
RPNR6020S101M	100±20%	1.200	1.000	7	0.64	0.84	0.50	0.58
RPNR6020S151M	150±20%	2.080	1.600	6	0.50	0.60	0.45	0.52
RPNR6020S221M	220±20%	3.461	2.662	4.7	0.45	0.55	0.33	0.38
RPNR6020S331M	330±20%	3.419	2.630	3	0.27	0.33	0.33	0.39

RPNR6028系列(TYPE)

Part Number	Inductance @100kHz,1V	Self- resonant Frequency Min.	DC Resistance		Saturation Current'3		Heat Rating Current'4	
			Max.	Typ.	Max.	Typ.	Max.	Typ.
Units	μ H	MHz	Ω		A		A	
Symbol	L	S.R.F	DCR		Isat		Irms	
RPNR6028SR82N	0.82±30%	97	0.016	0.012	6.50	9.00	5.20	6.00
RPNR6028S1R0N	1.0±30%	70	0.013	0.010	5.75	7.00	5.20	5.70
RPNR6028S1R2N	1.2±30%	69	0.017	0.013	6.40	7.50	4.58	5.00
RPNR6028S1R5N	1.5±30%	65	0.017	0.013	6.00	6.60	4.58	5.00
RPNR6028S2R2N	2.2±30%	48	0.026	0.020	5.10	5.60	3.75	4.10
RPNR6028S2R7N	2.7±30%	48	0.026	0.020	3.80	4.10	3.75	4.10
RPNR6028S3R3N	3.3±30%	41	0.033	0.025	4.15	4.50	3.48	3.80
RPNR6028S3R6N	3.6±30%	40	0.035	0.027	3.20	4.20	5.40	6.00
RPNR6028S3R9N	3.9±30%	31	0.042	0.032	3.50	4.50	4.20	4.80
RPNR6028S4R3N	4.3±30%	28	0.042	0.032	3.30	3.80	4.20	4.80
RPNR6028S4R7N	4.7±30%	35	0.039	0.030	3.00	3.30	3.08	3.40
RPNR6028S5R1N	5.1±30%	32	0.056	0.043	3.20	3.50	2.60	2.80
RPNR6028S5R6N	5.6±30%	30	0.056	0.043	3.00	3.50	2.60	3.00
RPNR6028S6R2M	6.2±20%	30	0.061	0.047	3.05	3.30	2.40	2.60
RPNR6028S6R8M	6.8±20%	27	0.061	0.047	2.60	3.00	2.40	2.60
RPNR6028S8R2M	8.2±20%	24	0.072	0.055	2.30	2.50	2.25	2.50
RPNR6028S9R1M	9.1±20%	24	0.096	0.074	2.55	2.80	2.15	2.40
RPNR6028S100M	10±20%	23	0.094	0.072	2.04	2.50	1.95	2.40
RPNR6028S120M	12±20%	18	0.104	0.080	1.80	2.00	1.85	2.00
RPNR6028S150M	15±20%	18	0.163	0.125	1.75	1.90	1.45	1.60
RPNR6028S180M	18±20%	15	0.156	0.120	1.52	1.80	1.45	1.60
RPNR6028S220M	22±20%	14	0.182	0.140	1.45	1.80	1.40	1.60
RPNR6028S270M	27±20%	13	0.202	0.155	1.50	1.60	1.32	1.40
RPNR6028S330M	33±20%	12	0.241	0.185	1.35	1.50	1.22	1.30
RPNR6028S360M	36±20%	11	0.280	0.215	1.25	1.40	1.13	1.20
RPNR6028S390M	39±20%	11	0.293	0.225	1.25	1.40	1.10	1.20
RPNR6028S470M	47±20%	9.5	0.410	0.315	1.15	1.30	1.06	1.10
RPNR6028S510M	51±20%	10	0.442	0.340	0.80	0.92	1.00	1.20
RPNR6028S560M	56±20%	8.2	0.449	0.345	1.05	1.20	0.89	1.00
RPNR6028S680M	68±20%	7.7	0.468	0.360	0.80	0.95	0.86	0.95
RPNR6028S750M	75±20%	7.7	0.533	0.410	0.90	0.99	0.81	0.90
RPNR6028S820M	82±20%	7.7	0.650	0.50	0.80	0.88	0.70	0.77
RPNR6028S101M	100±20%	7.1	0.650	0.50	0.65	0.71	0.70	0.77
RPNR6028S151M	150±20%	1.8	0.780	0.600	0.50	0.58	0.70	0.80
RPNR6028S221M	220±20%	3.4	1.729	1.330	0.40	0.50	0.50	0.57
RPNR6028S331M	330±20%	2.6	3.640	2.800	0.30	0.40	0.35	0.40
RPNR6028S681M	680±20%	1.8	6.630	5.100	0.23	0.30	0.24	0.28
RPNR6028S102M	1000±20%	1.5	7.540	5.80	0.18	0.22	0.23	0.26

RPNR6045系列(TYPE)

Part Number	Inductance	Self-resonant Frequency	DC Resistance		Saturation Current ³		Heat Rating Current ⁴	
	@100kHz,1V	Min.	Max.	Typ.	Max.	Typ.	Max.	Typ.
Units	μ H	MHz	Ω		A		A	
Symbol	L	S.R.F	DCR		Isat		Irms	
RPNR6045SR47N	0.47±30%	155	0.008	0.006	15.00	16.50	6.50	6.60
RPNR6045SR56N	0.56±30%	142	0.008	0.006	14.00	15.00	6.50	7.50
RPNR6045SR68N	0.68±30%	99	0.008	0.006	11.00	12.00	5.70	6.50
RPNR6045SR82N	0.82±30%	140	0.010	0.008	10.35	11.00	5.90	6.50
RPNR6045S1R0N	1.0±30%	100	0.014	0.011	9.85	10.00	5.14	5.60
RPNR6045S1R2N	1.2±30%	100	0.013	0.010	8.35	9.10	5.40	5.90
RPNR6045S1R3N	1.3±30%	100	0.013	0.010	8.35	9.10	5.40	5.90
RPNR6045S1R5N	1.5±30%	65	0.016	0.012	8.80	9.70	4.95	5.40
RPNR6045S1R8N	1.8±30%	74	0.016	0.012	7.60	8.40	4.95	5.40
RPNR6045S2R2N	2.2±30%	52	0.018	0.014	6.75	7.40	4.60	5.00
RPNR6045S2R3N	2.3±30%	60	0.027	0.021	6.00	6.60	3.50	3.80
RPNR6045S2R7N	2.7±30%	38	0.020	0.015	5.75	6.30	4.30	4.70
RPNR6045S3R0N	3.0±30%	35	0.026	0.020	5.60	6.20	3.80	4.20
RPNR6045S3R3N	3.3±30%	32	0.027	0.021	5.90	6.20	3.70	4.00
RPNR6045S3R6N	3.6±30%	28	0.027	0.021	5.25	5.70	3.70	4.00
RPNR6045S4R3M	4.3±20%	23	0.030	0.023	4.45	4.90	3.50	3.80
RPNR6045S4R5M	4.5±20%	24	0.034	0.026	4.97	5.50	3.30	3.60
RPNR6045S4R7M	4.7±20%	24	0.034	0.026	4.97	5.50	3.30	3.60
RPNR6045S5R1M	5.1±20%	23	0.034	0.026	4.40	4.80	3.30	3.60
RPNR6045S5R6M	5.6±20%	23	0.038	0.029	4.15	4.60	3.15	3.40
RPNR6045S6R2M	6.2±20%	26	0.040	0.031	4.43	4.80	3.00	3.30
RPNR6045S6R3M	6.3±20%	26	0.040	0.031	4.43	4.70	3.00	3.30
RPNR6045S6R8M	6.8±20%	20	0.040	0.031	3.90	4.30	3.00	3.30
RPNR6045S7R5M	7.5±20%	18	0.044	0.034	3.50	3.80	2.90	3.20
RPNR6045S8R2M	8.2±20%	21	0.056	0.043	3.90	4.30	2.60	2.80
RPNR6045S9R1M	9.1±20%	17	0.056	0.043	3.35	3.70	2.60	2.80
RPNR6045S100M	10±20%	15	0.062	0.048	3.20	3.50	2.45	2.70
RPNR6045S120M	12±20%	13	0.075	0.058	2.80	3.00	2.20	2.40
RPNR6045S150M	15±20%	12	0.088	0.068	2.50	2.70	2.05	2.20
RPNR6045S180M	18±20%	10	0.105	0.081	2.20	2.40	1.85	2.00
RPNR6045S220M	22±20%	10	0.116	0.089	2.05	2.20	1.80	2.00
RPNR6045S270M	27±20%	9.2	0.133	0.102	1.90	2.10	1.65	1.80
RPNR6045S300M	30±20%	7.8	0.172	0.132	1.70	1.80	1.50	1.60
RPNR6045S330M	33±20%	7.8	0.178	0.137	1.65	1.80	1.45	1.60
RPNR6045S360M	36±20%	7.8	0.225	0.173	1.62	1.80	1.40	1.50
RPNR6045S390M	39±20%	7.8	0.234	0.180	1.50	1.60	1.25	1.40
RPNR6045S430M	43±20%	7.7	0.260	0.20	1.63	1.80	1.20	1.30
RPNR6045S470M	47±20%	6.4	0.260	0.20	1.40	1.50	1.20	1.30

RPNR6045系列(TYPE)

Part Number	Inductance	Self-resonant Frequency	DC Resistance		Saturation Current ³		Heat Rating Current ⁴	
	@100kHz,1V	Min.	Max.	Typ.	Max.	Typ.	Max.	Typ.
Units	μ H	MHz	Ω		A		A	
Symbol	L	S.R.F	DCR		Isat		I _{rms}	
RPNR6045S510M	51±20%	6.4	0.269	0.207	1.35	1.50	1.15	1.20
RPNR6045S560M	56±20%	6.4	0.287	0.221	1.30	1.40	1.10	1.20
RPNR6045S620M	62±20%	6.4	0.306	0.235	1.25	1.40	1.10	1.20
RPNR6045S680M	68±20%	6.4	0.376	0.289	1.20	1.30	1.00	1.10
RPNR6045S750M	75±20%	5	0.397	0.305	1.15	1.20	0.95	1.00
RPNR6045S820M	82±20%	4.9	0.443	0.341	1.05	1.10	0.90	0.99
RPNR6045S910M	91±20%	4.9	0.467	0.359	1.00	1.10	0.85	0.94
RPNR6045S101M	100±20%	4.2	0.563	0.433	0.95	1.00	0.80	0.88
RPNR6045S121M	120±20%	4.2	0.629	0.484	0.85	0.94	0.77	0.85
RPNR6045S151M	150±20%	4.2	0.754	0.580	0.80	0.88	0.70	0.77
RPNR6045S221M	220±20%	3.5	1.084	0.834	0.70	0.77	0.59	0.65
RPNR6045S271M	270±20%	2.8	1.425	1.096	0.65	0.75	0.55	0.63
RPNR6045S331M	330±20%	2.8	1.651	1.270	0.57	0.63	0.57	0.63
RPNR6045S391M	390±20%	2.1	2.340	1.800	0.50	0.58	0.40	0.46
RPNR6045S471M	470±20%	2.0	2.340	1.80	0.500	0.560	0.420	0.480
RPNR6045S561M	560±20%	1.9	3.224	2.480	0.46	0.53	0.33	0.38
RPNR6045S681M	680±20%	1.7	3.250	2.50	0.420	0.460	0.330	0.380
RPNR6045S751M	750±20%	1.5	4.810	3.700	0.400	0.460	0.300	0.340
RPNR6045S821M	820±20%	1.1	4.810	3.700	0.360	0.420	0.300	0.340
RPNR6045S102M	1000±20%	1.30	5.85	4.50	0.300	0.350	0.300	0.350
RPNR6045S152M	1500±20%	1.05	8.10	6.75	0.240	0.290	0.210	0.240
RPNR6045S202K	2000±10%	0.90	11.64	9.70	0.210	0.250	0.175	0.202
RPNR6045S222K	2200±10%	0.90	12.00	10.00	0.205	0.240	0.169	0.195
RPNR6045S252K	2500±10%	0.80	12.68	10.57	0.200	0.230	0.167	0.193
RPNR6045S332K	3300±10%	0.70	15.30	13.00	0.170	0.200	0.150	0.170
RPNR6045S472K	4700±10%	0.60	22.50	18.75	0.150	0.170	0.120	0.140
RPNR6045S502K	5000±10%	0.60	24.00	20.00	0.135	0.165	0.115	0.130
RPNR6045S602K	6000±10%	0.55	36.00	30.00	0.125	0.150	0.097	0.113
RPNR6045S682K	6800±10%	0.50	37.40	31.20	0.120	0.140	0.095	0.110
RPNR6045S702K	7000±10%	0.50	39.60	33.00	0.120	0.145	0.090	0.105
RPNR6045S802K	8000±10%	0.45	42.60	35.50	0.115	0.135	0.085	0.100
RPNR6045S103K	10000±10%	0.40	48.00	40.00	0.100	0.120	0.080	0.090
RPNR6045S123K	12000±10%	0.35	68.40	57.00	0.095	0.110	0.065	0.075
RPNR6045S143K	14000±10%	0.30	76.20	63.50	0.090	0.100	0.063	0.073
RPNR6045S153K	15000±10%	0.30	77.40	64.50	0.080	0.090	0.060	0.070

RPNR8040系列(TYPE)

Part Number	Inductance @100kHz,1V	Self- resonant Frequency Min.	DC Resistance		Saturation Current ³		Heat Rating Current ⁴	
			Max.	Typ.	Max.	Typ.	Max.	Typ.
Units	μ H	MHz	Ω		A		A	
Symbol	L	S.R.F	DCR		Isat		Irms	
RPNR8040SR82N	0.82±30%	94	0.010	0.008	13.80	16.00	6.30	6.90
RPNR8040S1R0N	1.0±30%	89	0.010	0.008	9.85	14.00	6.30	6.90
RPNR8040S1R2N	1.2±30%	59	0.013	0.010	10.00	14.00	5.65	6.20
RPNR8040S1R5N	1.5±30%	67	0.013	0.010	8.15	11.00	5.65	6.20
RPNR8040S2R0N	2.0±30%	43	0.016	0.012	9.25	10.00	5.15	5.60
RPNR8040S2R2N	2.2±30%	41	0.016	0.012	7.10	8.00	5.15	5.60
RPNR8040S3R0N	3.0±30%	32	0.018	0.014	6.10	7.00	4.70	5.20
RPNR8040S3R3N	3.3±30%	27	0.022	0.017	6.50	7.00	4.40	4.80
RPNR8040S3R6N	3.6±30%	30	0.022	0.017	7.52	8.50	4.35	4.80
RPNR8040S3R9N	3.9±30%	26	0.022	0.017	5.75	6.50	4.35	4.80
RPNR8040S4R7N	4.7±30%	24	0.025	0.019	5.90	6.50	4.10	4.50
RPNR8040S5R1N	5.1±30%	22	0.025	0.019	4.70	5.40	4.05	4.40
RPNR8040S5R6N	5.6±30%	24	0.027	0.021	6.00	6.90	3.85	4.20
RPNR8040S6R2N	6.2±30%	20	0.027	0.021	4.45	5.10	3.85	4.20
RPNR8040S6R8M	6.8±20%	20	0.031	0.024	4.55	5.20	3.60	4.00
RPNR8040S8R2M	8.2±20%	17	0.034	0.026	4.20	4.80	3.45	3.80
RPNR8040S100M	10±20%	15	0.038	0.029	3.60	4.10	3.30	3.60
RPNR8040S120M	12±20%	13	0.053	0.041	3.50	4.00	2.80	3.00
RPNR8040S150M	15±20%	12	0.061	0.047	2.95	3.40	2.60	2.80
RPNR8040S180M	18±20%	11	0.069	0.053	2.70	3.10	2.40	2.60
RPNR8040S220M	22±20%	9.5	0.090	0.069	2.40	2.70	2.10	2.30
RPNR8040S270M	27±20%	9.2	0.101	0.078	2.15	2.50	2.00	2.20
RPNR8040S330M	33±20%	7.8	0.126	0.097	2.05	2.40	1.80	2.00
RPNR8040S360M	36±20%	7.8	0.133	0.102	2.00	2.30	1.75	1.90
RPNR8040S390M	39±20%	7.8	0.139	0.107	1.95	2.20	1.70	1.90
RPNR8040S430M	43±20%	7.8	0.147	0.113	1.90	2.20	1.65	1.80
RPNR8040S470M	47±20%	6.4	0.177	0.136	1.75	2.00	1.55	1.70
RPNR8040S510M	51±20%	6.4	0.185	0.142	1.70	1.90	1.50	1.60
RPNR8040S620M	62±20%	6.4	0.237	0.182	1.50	1.60	1.30	1.40
RPNR8040S680M	68±20%	4.9	0.255	0.196	1.45	1.60	1.25	1.40
RPNR8040S750M	75±20%	4.9	0.274	0.211	1.35	1.50	1.20	1.30
RPNR8040S820M	82±20%	5.9	0.293	0.225	1.30	1.40	1.15	1.20
RPNR8040S910M	91±20%	4.9	0.354	0.272	1.20	1.30	1.05	1.10
RPNR8040S101M	100±20%	4.2	0.377	0.290	1.15	1.30	1.00	1.10
RPNR8040S121M	120±20%	3.5	0.434	0.334	1.05	1.10	0.95	1.00
RPNR8040S151M	150±20%	3.5	0.533	0.410	1.10	1.20	0.85	0.94
RPNR8040S181M	180±20%	3.5	0.676	0.520	0.95	1.15	0.83	0.92
RPNR8040S221M	220±20%	3.5	0.779	0.599	0.85	0.94	0.80	0.88

RPNR8040系列(TYPE)

Part Number	Inductance @100kHz,1V	Self-resonant Frequency Min.	DC Resistance		Saturation Current'3		Heat Rating Current'4	
			Max.	Typ.	Max.	Typ.	Max.	Typ.
Units	μ H	MHz	Ω		A		A	
Symbol	L	S.R.F	DCR		Isat		Irms	
RPNR8040S271M	270±20%	3	0.975	0.750	0.80	0.95	0.75	0.78
RPNR8040S331M	330±20%	2.8	1.156	0.889	0.68	0.75	0.64	0.70
RPNR8040S391M	390±20%	2.2	1.118	0.860	0.53	0.68	0.60	0.70
RPNR8040S471M	470±20%	2.1	1.625	1.260	0.60	0.70	0.50	0.60
RPNR8040S561M	560±20%	2.3	2.327	1.790	0.50	0.60	0.47	0.54
RPNR8040S681M	680±20%	1.7	2.652	2.040	0.50	0.60	0.45	0.50
RPNR8040S821M	820±20%	1.7	3.640	2.800	0.53	0.60	0.35	0.40
RPNR8040S102M	1000±20%	1.4	3.640	2.800	0.40	0.50	0.35	0.40
RPNR8040S152M	1500±20%	1	6.500	5.000	0.32	0.38	0.26	0.27

RPNR8065系列(TYPE)

Part Number	Inductance @100kHz,1V	Self-resonant Frequency Min.	DC Resistance		Saturation Current'3		Heat Rating Current'4	
			Max.	Typ.	Max.	Typ.	Max.	Typ.
Units	μ H	MHz	Ω		A		A	
Symbol	L	S.R.F	DCR		Isat		Irms	
RPNR8065S100M	10±20%	13	0.045	0.035	5.00	8.90	3.20	3.70
RPNR8065S220M	22±20%	8	0.078	0.060	3.00	4.50	2.80	3.10
RPNR8065S330M	33±20%	7.5	0.117	0.090	2.50	4.00	2.10	2.40
RPNR8065S470M	47±20%	7	0.163	0.125	2.00	3.00	1.60	2.00
RPNR8065S680M	68±20%	5	0.234	0.180	1.50	2.00	1.30	1.80
RPNR8065S820M	82±20%	3.5	0.299	0.230	1.30	2.00	1.20	1.45
RPNR8065S101M	100±20%	3.1	0.325	0.250	1.20	1.70	0.91	1.20
RPNR8065S151M	150±20%	2.5	0.455	0.350	1.15	1.55	0.90	1.10
RPNR8065S221M	220±20%	2	0.754	0.580	1.10	1.50	0.88	0.90
RPNR8065S331M	330±20%	1.7	1.040	0.800	0.90	1.20	0.65	0.85
RPNR8065S471M	470±20%	1.4	1.690	1.300	0.80	1.20	0.50	0.65
RPNR8065S681M	680±20%	1	2.080	1.600	0.70	1.00	0.48	0.60

Notes

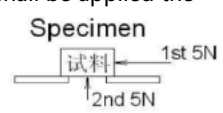
All test data is referenced to 25°C ambient.

Rated current:Isat or Irms,which ever is smaller.

Irms (A):DC current(A)that will cause an approximate ΔT of 40°C.(reference ambient temperature is 25°C)

Isat(A):DC current(A)that will cause L0 to drop approximately 30%.

The part temperature(ambient+temp rise)should not exceed 125°C under worst case operating conditions.Circuit design,component placement,PWB trace size and thickness,airflow and other cooling provisions all affect the part temperature.Part temperature should be verified in the end application.

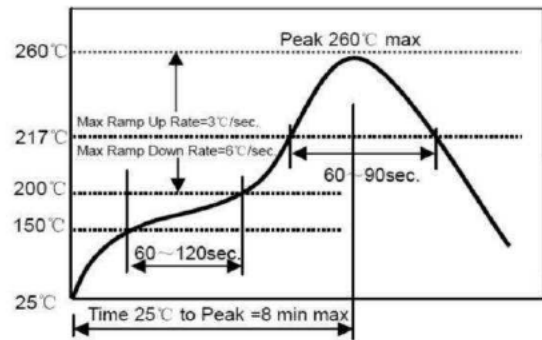
Item 项目	Specification and Requirement 项目规范和要求	Test Method 试验方法
Solder ability 焊锡附着性	New solder shall cover 95% minimum of the surface immersed. 95%以上的面积要被覆盖。	Terminals shall be immersed for 5 to 10 seconds in flux at room temperature. Dip sample into solder bath containing molten solder at 260±5°C for 3±0.5 seconds. 试验品电极涂布松香后, 在5~10秒内焊锡, 焊锡槽温度260±5°C, 时间: 10±2秒。
Reflow test 回流焊耐热试验	Inductance within ±20% of initial value. 电感值变化不超过±20%。	Peak temp/duration of stay. 峰值温度/停留时间: 260±5°C/30±10s. The specimen shall be subjected to the reflow process under the above condition 2 times. Test board shall be 0.8mm thick. Base material shall be glass epoxy resin. 试验板的厚度0.8mm以上, 按上面条件通过两次热风炉。 Measurement: when it shall be stabilized under standard atmospheric conditions for 1h~2h before measurement. 测定: 常温常湿中放置于1小时以上2小时以内测试。
Vibration 耐振性	Appearance no damage. 无外观破损。 Inductance within ±20% of initial value. 电感值变化不超过±20%。	Vibration Frequency: 10~55~10Hz Amplitude: 1.5mm Sweep time: 1min Test Directions: X, Y, Z Test Time: 2 hours each direction. 振动频率10~55~10Hz, 振幅1.5mm, 扫描时间1分钟, 分X, Y, Z方向各振动2小时。
Cold and hot cycle test 冷热冲击试验	Inductance within ±20% of initial value. 电感值变化不超过±20%。	Placed at the temperature of -40±3°C for 30 minutes, placed at 125°C±3°C for 30 minutes, the heat and cold conversion time of no more than 5±2 minute for a cycle, after 20 cycles, then it shall be stabilized under standard atmospheric conditions for 1h~2h before measurement. 在温度-40±3°C中放置30分钟, 在125°C±3°C放置30分钟, 中间转换时间不超过5±2分钟为一个循环, 试验20个循环后, 常温常湿中放置1小时以上2小时以内测试。
Adhesion strength 固着强度	Appearance no damage. 无外观破损。 Inductance within ±20% of initial value. 电感值变化不超过±20%。	A static load using a R0.5 pressing tool shall be applied the arrow and to the body of the specimen in the direction of the arrow and shall be hold for 60±5s. Measure after removing pressure. 按箭头方向用R0.5的加压棒在试件中施加一定的静力并保持60±5秒。 
Free fall test 自然落下试验	Appearance no damage. 无外观破损。 Inductance within ±20% of initial value. 电感值变化不超过±20%。	The specimen must be fixed on test board. It must be equipped with instruments of which weight is 500g. Then it shall be fallen freely from 1m height to rigid wood 3 times in each of three axes. 试件安装在基板上, 并固定在重500克的盒中, 由1米高自由落体, 3个互相垂直的方向各3次。
Dump heat test 恒温恒湿试验	Inductance within ±20% of initial value. 电感值变化不超过±20%。	The specimen shall be stored at a temperature of 40±5°C with relative humidity of 90~95% for 96±4h. Then it shall be stabilized under standard atmospheric conditions for 1h~2h before measurement. 在温度40±5°C, 湿度90~95%中放置96±4小时后, 常温常湿中放置1小时以上2小时以内测试。
Low temperature preservation test 低温保存试验	Inductance within ±20% of initial value. 电感值变化不超过±20%。	The specimen shall be stored at a temperature of -40±3°C for 96±4h. Then it shall be stabilized under standard atmospheric conditions for 1h~2h before measurement. 在温度-40±3°C中放置96±4小时后, 标准大气条件下放置1小时以上2小时以内测试。
High temperature preservation test 高温保存试验	Inductance within ±20% of initial value. 电感值变化不超过±20%。	The specimen shall be stored at a temperature of 125±3°C for 96±4h. Then it shall be stabilized under standard atmospheric conditions for 1h~2h before measurement. 在温度125±3°C中放置96±4小时后, 常温常湿中放置1小时以上2小时以内测试。
Operating temperature range 使用温度范围	-55 ~ +125°C	Products heating tempratne. 包括制品的发热温度。

Item 项目	Specification and Requirement 项目规范和要求	Test Method 试验方法
Storage temperature and humidity range 保存温湿度范围	temperature range 温度范围: 5°C~35°C humidity range 湿度范围: 25%~80%	In packing state. 在包装的状态下。
Atmospheric conditions 标准大气条件: Unless otherwise specified, the standard range of atmospheric conditions in making measurements and test as follows. 除另有规定外, 大气条件进行测量和试验的标准范围如下: Ambient temperature 5°C to 35°C 环境温度: 5°C~35°C relative humidity: 45% to 85% 相对湿度: 45%~85% air pressure: 86kPa to 106kPa 气压: 86kPa~106kPa If more strict measurement is required, measurement shall be made within following limits 如果需要更严格的测量, 应在下列范围内进行测量: Ambient temperature: 20±2°C 环境温度: 20±2°C relative humidity: 65±5% 相对湿度: 65±5% air pressure: 86kPa to 106kPa 气压: 86kPa~106kPa		

Recommended Soldering Technologies 推荐的焊接技术

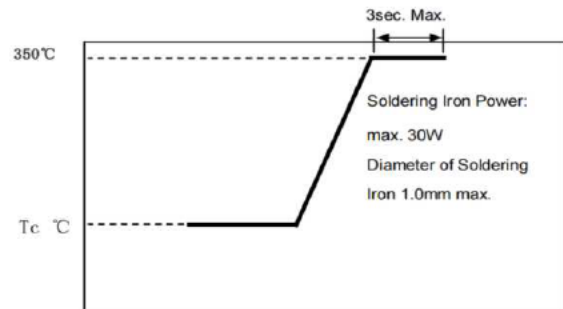
1、Re-flowing Profile 回流焊接:

- ※Preheat condition 预热条件: 150~200°C/60~180sec.
- ※Allowed time above 217°C 允许217°C时间以上: 80~120sec.
- ※Max temp 最高温度: 260°C
- ※Max time at max temp 最高温度下的最长时间: 10sec.
- ※Solder paste 焊膏: Sn/3.0Ag/0.5Cu
- ※Allowed Reflow time: 2 x max 允许回流时间: 最大2倍



2、Iron Soldering Profile 烙铁焊接

- ※Iron soldering power: Max. 30W 烙铁焊接功率: 最大30W
- ※Pre-heating 预热: 150°C/60sec.
- ※Soldering time 焊接时间: 3sec. Max.
- ※Solder paste 焊膏: Sn/3.0Ag/0.5Cu
- ※Max. 1 times for iron soldering 烙铁焊最多1次



Tape Carrier Packaging 胶带载体包装:

Series 系列	Standard Quantity (pcs/reel) 标准数量 (个卷)
252010	2000
252012	2000
3010	2000
3012	2000
3015	2000
4010	5000
4012	4500

Series 系列	Standard Quantity (pcs/reel) 标准数量 (个卷)
4018	3000
4020	3000
4026	2500
4030	2000
5012	4500
5020	3000
5040	1500

Series 系列	Standard Quantity (pcs/reel) 标准数量 (个卷)
6020	2500
6028	2000
6045	1500
8040	1000
8065	800